



Open 19" racks

THE COST-EFFECTIVE
ALTERNATIVE FOR YOUR
LAN CABLING

9
Open 19" racks





Ventilation through double base

Open distribution rack

- the open distribution rack from apraNET is the perfect solution for your application if you have separate space for your components and require neither side panels nor doors on your 19" rack
- can be dismantled to parcel service size
- easy transportable to installation site
- simple assembly and installation of passive and active network components without any cabinet mountings interfering
- ventilation and installation of this solution is extremely simple since no paneling parts interfere
- 10 metal hoops are attached to every rack for cable entry. Cross-connection between individual racks is realised through the base

Finish:

RAL 7035 light grey

Material:

sheet metal

Delivery:

kit form

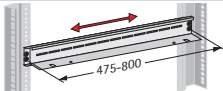
"Basic rack" delivery:

- 2 x 19" racks 21 U
- base with tilt prevention H=100 mm, D=1000 mm, cable entries at rear and side
- 10 metal cable clamps 125 x 65

"Row rack" delivery:

- 2 x 19" racks 21 U
- base with tilt prevention H=100 mm, D=1000 mm, cable entries at rear and side
- 10 metal cable clamps 125 x 65
- row connector set

Order information

Description „Basic rack“	(H x W x D) mm	Order no.
19" distribution rack „EASYVARI“	2100x600x1100 (42 U)	58-2100-00
19" distribution rack „EASYVARI“ additional rack	2100x600x1100 (42 U)	58-2100-10
19" rack 42 U for installation at rear	2000x560x123	58-2100-15
Cable tray H approx. 1800	1800x200x40	58-2100-20
Cable holder, metal	65x125	64-0036-30
Cable holder, metal	95x125	64-0036-40
19" shelf 1U „VARlplain“	1Ux445x445-780	31-6036-99
Slide bars, screwable, telescoping 475-780 mm		31-6544-20



19"-laboratory rack 18 U + 18 U

- for frequent access to 19" equipment, for example in laboratories, development and test departments, the 19" laboratory rack is a cost-effective alternative to a cabinet
- cost-efficient transport via parcel service

Finish:

RAL 7037 dusty grey

Material:

sheet metal/die-cast

Options:

- expandable with set of rollers (see accessories)
- cable routing either at front or rear (see accessories)

Delivery:

kit form

Delivery:

- 1 x stable 19" sheet metal rack 18U with front and rear mounting
- 2 x feet with integrated adjusting feet
- mounting hardware

Delivery extension modules:

- 1 x stable 19" sheet metal rack with front and rear mounting
- mounting hardware



Configuration example

Order information

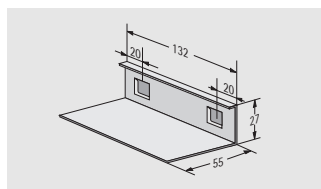
Description	Load capac.	(H x W x D) mm	Order number
Laboratory rack 18U	120 kg	915 x 575 x 730	58-5010-00
Extension module 18 U	120 kg	845 x 575 x 180	58-5010-05

Accessories

Pos.*	Description	Order no.
1	Set of rollers for laboratory rack (max. weight: 200 kg)	58-5010-10
2	Small cable clamp (clipped on type)	64-0030-10
3	Big cable clamp (screw-on type)	64-0035-00

*Note: see illustration above

Slide rails for 19" laboratory rack

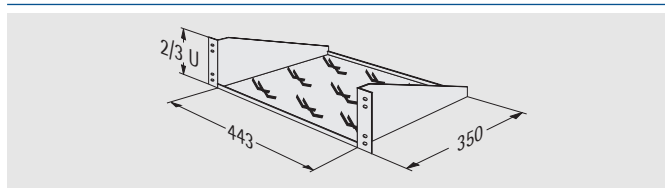


- for integration of heavy plug-in units into the 19" laboratory rack

Finish: zinc coated
Material: sheet metal

Order number (pair)
58-5010-07

19" shelf, fixed



- simple assembly into 19" system
- ventilated
- including mounting hardware

Load capacity: ca. 15 kg
Finish: RAL 7035 light grey
Material: sheet metal

Height	Order number
2 U	31-5810-20
3 U	31-5810-00



582 • 19" wall rack



Configuration example

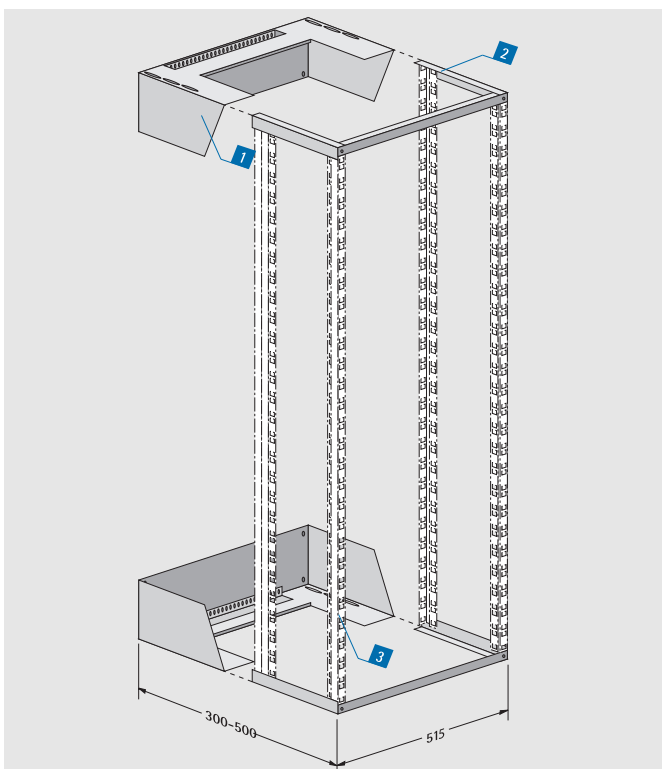
19" wall rack

The 19" level can be depth adjusted from 300mm up to a maximum of 500mm such that there is enough space for cable routing even for large plug-in unit depths. Integration of a second 19" level at the rear of the rack allows the assembly of, amongst other things, slide rails to accept heavy plug-in units. The cable feed above and below is fitted with an integrated strain-relief strip.

Note: a maximum of 4 vertical mountings can be integrated into the open wall rack.

The 19" wall rack is simple to mount since the mounting holes can, by using the 19" rack to be mounted on the wall, be marked as well as drilled and fitted with screws.

Technical information



Construction:

The 19" wall rack, comprising of two wall brackets **1**, upper and lower pull-out rails **2** and a front and/or rear 19" level **3**, represents a flexible and effective 19" alternative to the wall distribution sector.

Note: mountings for the 19" level must be ordered separately.

1 Finish:
RAL 7035 light grey

2 Finish: zinc coated

Dimensions:

H=per U (from 9 U up to 24 U)
W=515 mm
D =300 mm to 500 mm

Load capacity:

19" level front: 60 kg
19" level front and rear: 100 kg

Delivery: kit form

Note: a maximum of 4 vertical mountings can be integrated into the open wall rack. Please order your 19" vertical mountings separately in accordance with your height requirements (see following page).

Delivery:

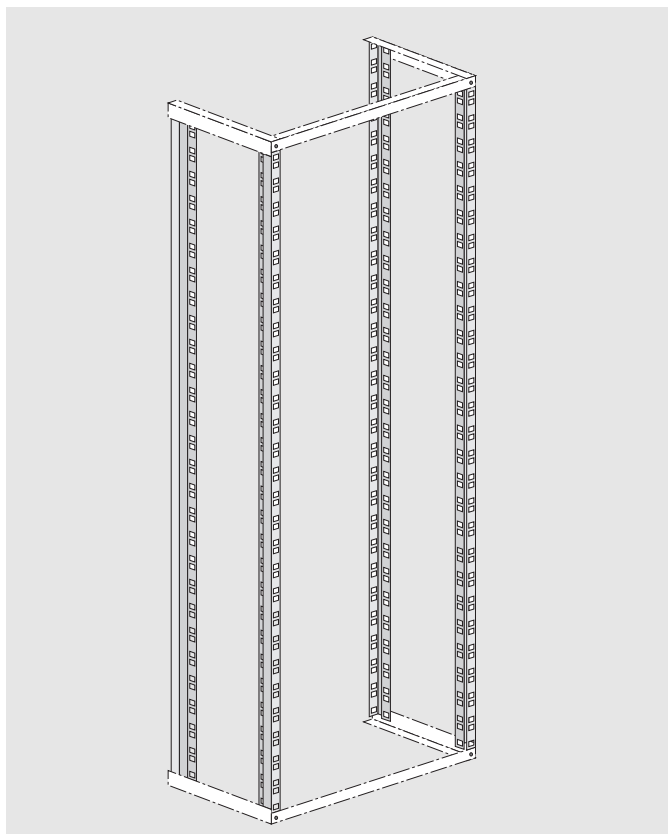
- 2 x wall brackets see pos. 1
- 2 x pull-out rails see pos. 2 **without vertical mountings (see page 9.5)**

Order information

Order number
58-2010-00



3 19" vertical mountings



Delivery:

- 19" vertical mountings, complete with mounting hardware

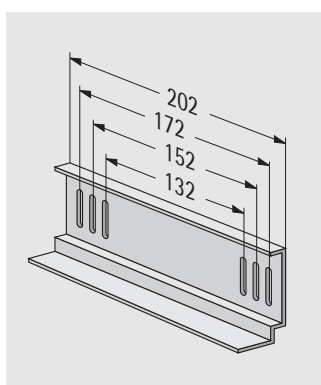
Finish: zinc coated

Note:

a maximum of 4 vertical mountings can be integrated into the open wall rack.

U	Order no. (1 piece)
9	500-309
12	500-312
15	500-315
18	500-318
24	500-324

Slide rails for 19" vertical mounting, hook-in



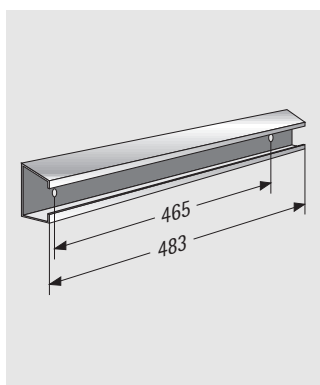
- for supporting heavy plug-in units
- including mounting hardware

Note: four 19" vertical mountings are required for mounting

Finish: zinc coated
Material: sheet metal
Delivery: with mounting hardware

Order number (pair)
312-543

Cable retainer bars

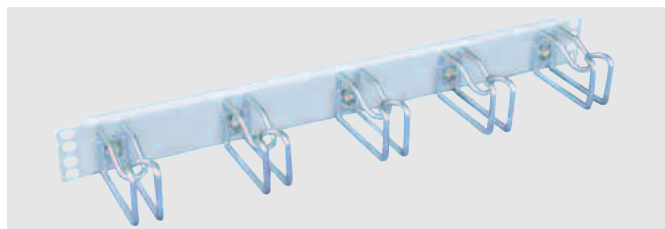
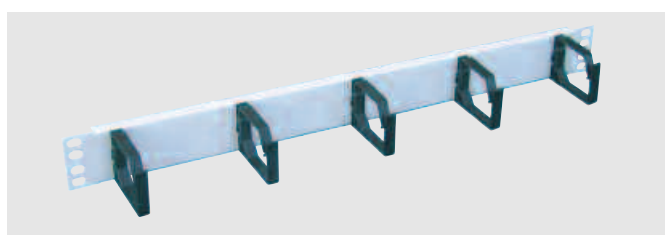


- used in conjunction with clamps for retaining of cables
- attached between upper and lower wall parts on the wall

Finish: zinc coated
Material: sheet metal
Delivery: without mounting hardware

Order number
31-5831-01

19"-accessories



Please refer to chapter 11 "Accessories" for further 19" accessories



582 • 19" desk rack/laboratory trolley



Configuration example populated with module rack

19"-desk rack 4 U

The 19" desk rack is intended for simple assembly of 19" components in laboratories and/or test rooms.

Finish:

RAL 7035 light grey

Material: sheet metal

Dimensions (H x W x D):

190 mm (4 U) x 502 mm x 250 mm

Delivery: kit form

Delivery:

- 1 x basic plate
- 1 x side part left
- 1 x side part right
- 16 screws M 5 x 12
- 16 decorative washers M 5 with collar
- 16 cage-nuts M 5-8
- mounting hardware

Order number
58-2004-00

Laboratory trolley

- for individual relocation, e.g. at computer centres, laboratory environment etc.

Finish:

RAL 7035 light grey

Material: sheet metal

Delivery: kit form

Load capacity: ca. 150 kg

Delivery:

- 2 x side racks
- 4 x guide rollers (2 lockable)
- 1 x tube handle covered with moulded shrink sleeving
- 2 x shelves
- 1 x rear panel
- mounting hardware

Order number
581-101

Shelf for laboratory trolley

Finish:

RAL 7035 light grey

Order number
581-103

